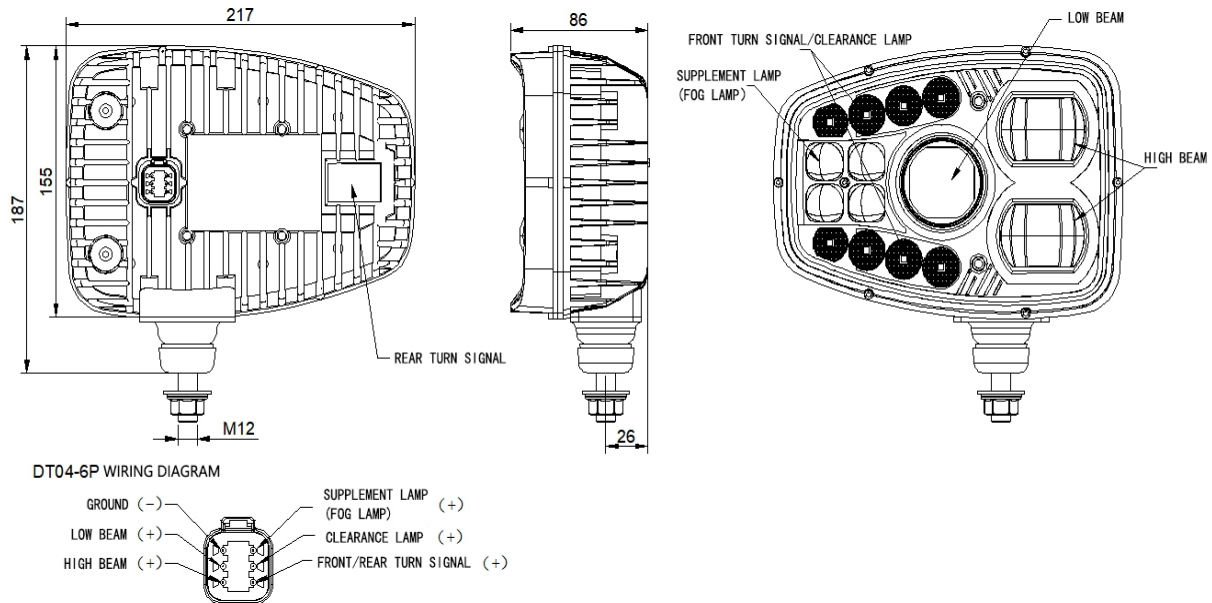


LED COMBINATION HEADLIGHTS

HK-CL03

1.Specifications*		<p>From the front</p>  <p>From the back</p> 
High Beam	24W (2pcs x 12W leds) Color Temp.: 6000-6500K	
Low Beam	15W (1pcs x 15W leds) Color Temp.: 6000-6500K	
Front/rear Turn Signals	Front Turn Signals 8pcs x 0.5W, amber Rear Turn Signals 4pcs x 0.5W, amber	
Clearance Lamp (CLL)	8pcs x 0.5W, white	
Supplement Lamp	4pcs x 3W, white	
Dimensions(mm)	217X187X86	
IP rate	IP65	
Operating Temperature	-40°C- +85°C	
Operating Voltage	12-36V	
Power	24+15+6+4+12 W	
Lumens	high beam 1000±100 lm; low beam 800±80lm	
Overvoltage Protection	36VDC, 600S	
Reverse Connection	36VDC, 60 Min	
Transient Impact	36VDC, 200mS	
Hi/lo Beam Standard	GB/T19124	
Turn Signals Standard	GBT 20418-2011	
Clearance Lamp Standard	GBT 20418-2011	
Lifespan	More than 25000hrs	
Applications	Widely used as headlights for construction vehicles, mining trucks, agricultural machinery, etc.	

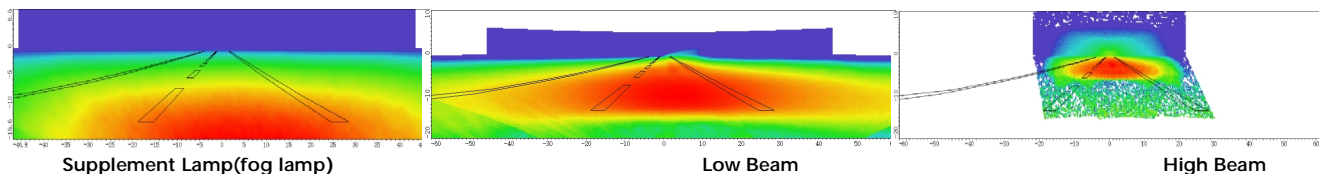
2.Dimensions and Wiring Diagram



3.Performance and Characteristics

3.1 Combined with the needs of night work lighting scenes of construction machinery such as loaders, the supplement lamp (fog lights) is creatively added to illuminate the area close to the cab, and there is no dark area and dead angle, which is more in line with the actual construction needs.

3.2 The double vent valve design is more conducive to the discharge of moisture inside the lamp.



Remarks: *the specifications are based on one piece of lamp, not a pair.